



322-SVW(-DS)
323-PHFBW(-DS)

324-STFS(-DS)
324-STFB(-DS)

Technical Data

Center-to-Center Spacing:

323-PHFBW(-DS)+322-SVW(-DS): 10 mm / 0.394 in
324-STFB(-DS)+324-STFS(-DS): 11,5 mm / 0.450 in

Rated Connecting Capacity: to EN 60 998

323-PHFBW(-DS)+322-SVW(-DS):
2,5 mm² / 20-12 AWG

Terminal Range:

With/ w/o wire protector up to 4 mm² / 6 mm² solid wire
with or w/o wire protector up to 2,5 / 4 mm² stranded wire

324-STFB(-DS)+324-STFS(-DS):
4 mm²(max.) / 20-14 AWG

Rated Insulation Voltage:

323-PHFBW(-DS)+322-SVW(-DS): 750 V

324-STFB(-DS)+324-STFS(-DS): 250 V

Rated Voltage: 400 V

to DIN VDE 0110, pollution degree 2 / II

Creepage distance metal part – ground:

323-PHFBW(-DS)>8 mm ≈ 630 V, pollution degree 2

Types 324:>5 mm ≈ 400 V, pollution degree 3

Rated Current:

323-PHFBW(-DS)+322-SVW(-DS):

Through (total): 25 A max.

Plug Connector: 10 A max.

324-STFB(-DS)+324-STFS(-DS): 25 A

Stripping Length: 7 mm

Depending on application, equipment safety regulations must be observed.

International Approvals

324-STFB/STFS additionally: Data see page 72.

Material

Screw:

323-PHFBW(-DS)+322-SVW(-DS):

M 3; ⌀ max. 0,5 Nm/ 4.5 lb-in.

324-STFB(-DS)+324-STFS(-DS):

M 3,5; ⌀ max. 0,8 Nm/ 7 lb-in.

Further details

see General Description page 20.

Description

323-PHFBW(-DS)+322-SVW(-DS):

Through connections are made by means of screw type terminals. The right angle auxiliary plug-in contact provides for one additional connection point per circuit.

324-STFB(-DS)+324-STFS(-DS):

On these connectors the cross-split socket section is surrounded by a sprung sleeve which produces a good permanent contact. The plugs are solid.

Options

☞ Marking strips and -labels, see page 29.

☞ Leading plug (STF-types sockets, too)

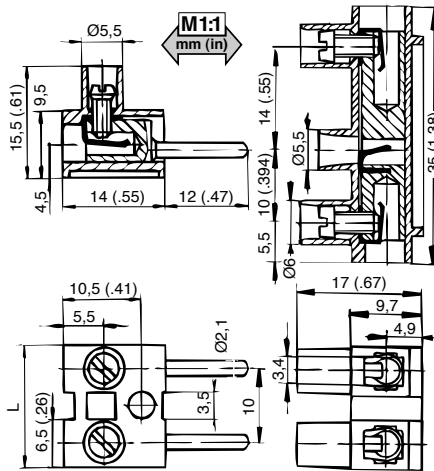


322-SVW-DS

323-PHFBW-DS

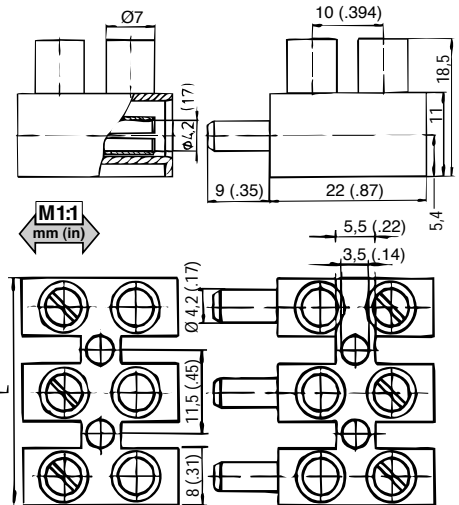
324-STFB(-DS)

324-STFS(-DS)



Length (L):

Pole	mm	in	5	48,00	1.89	9	88,00	3.46
2	18,00	0.71	6	58,00	2.28	10	98,00	3.86
3	28,00	1.10	7	68,00	2.68	11	108,00	4.25
4	38,00	1.50	8	78,00	3.07	12	118,00	4.65



Length (L):

Pole	mm	in	5	55,00	2.17	9	101,00	3.98
2	21,00	0.83	6	67,00	2.64	10	113,00	4.45
3	32,00	1.26	7	78,00	3.07	11	124,00	4.88
4	44,00	1.73	8	90,00	3.54	12	135,00	5.32

Order Table

Wire protector: with → -DS w/o: No entry	Poles: 02 to 12
Plug connector	
3 2 2 - S V W /	
Type-Designation	
Wire protector: with → -DS w/o: No entry	Poles: 02 to 12
Socket connector	
3 2 3 - P H F B W /	
Type-Designation	

Order Table

Style: Plug connector → STFS Socket connector → STFB	Wire protection: with → -DS w/o: No entry	Poles: 02 to 12
3 2 4 - /		
Type-Designation		