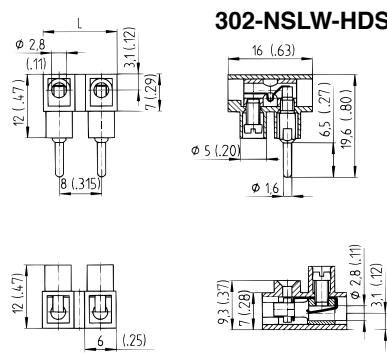
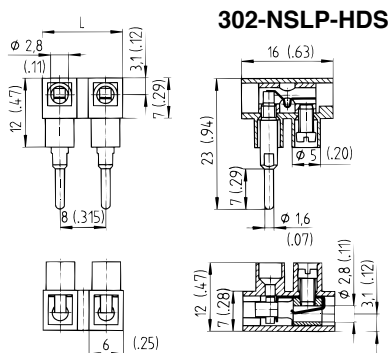


302-NSLP-(HDS)
302-NFLP-DS

302-NSLW-(HDS)
302-NFLW-DS



302-NFLP-DS



302-NFLW-DS



Length (L):

Pole	mm	in	5	6	7	8	9	10	11	12
2	15,00	0.59	39,00	47,00	55,00	63,00	71,00	79,00	87,00	94,00
3	23,00	0.91								
4	31,00	1.22								

Technical Data

Center-to-Center Spacing:
8 mm / 0.315 in

Rated Connecting Capacity: to EN 60 998
1,5 mm² / 16 AWG

Terminal Range:
With/ w/o wire protector up to 2,5 / 4 mm² solid wire
with/ w/o wire protector up to 1,5 / 2,5 mm² stranded wire

Rated Insulation Voltage: 250 V to EN 60 998

Rated Voltage: 400 V
to DIN VDE 0110, pollution degree 2 / II
Creepage distance 302-NFLW-DS metal part-ground: > 3,7 mm / 0.118 in = 600 V, pollution degree 1

Rated Current: 6 A

Stripping Length: 7 mm / 0.20 in

Depending on application, equipment safety regulations must be observed.

International Approvals



Data see page 72.

Material

Terminal Body: Nickel plated brass

Plug: Tin plated brass

Wire Protector/Spring: Tin plated copper alloy

Wire protector plug: Stainless steel strip

Screw: M 2,6;

⊙ max. 0,4 Nm/3.5 lb-in.

Further details

see General Description page 20.

Description

With this connector combination, the spring socket and contact pin are arranged at right angles to the wire entry bush for insertion parallel to the threaded bush. A tensile force on the conductor therefore does not act directly on the plug-in contact.

The funnel-shaped entry bush ensures optimal guidance of the contact pin.

This arrangement requires comparatively little space, thanks to the smaller "N" housings.

Options

⊗ Marking strips and -labels, see page 29.

Order Table

Wire protector:		Poles:	
with →	-HDS	02	to 12
w/o:	No entry		
Plug connector			
302-NSLP		/	
Type-Designation			
		Poles:	
		02	to 12
Socket connector			
302-NFLP-DS		/	
Type-Designation			

Order Table

Wire protection:		Poles:	
with →	-HDS	02	to 12
w/o:	No entry		
Plug connector			
302-NSLW		/	
Type-Designation			
		Poles:	
		02	to 12
Socket connector			
302-NFLW-DS		/	
Type-Designation			