

302-SV(-DS)
302-FB(-DS)

302-NSV(-DS)
302-NFB(-DS)



Standard Version



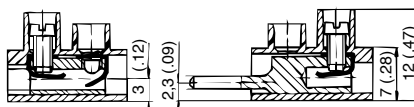
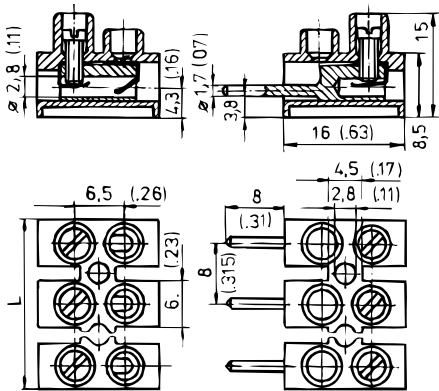
Low Profile Version

302-FB-DS

302-SV-DS

302-NFB-DS

302-NSV-DS



All further dimensions are identical to the type beside.



Length (L):

Pole	mm	in	5	39,00	1,54	9	71,00	2,80
2	15,00	0,59	6	47,00	1,85	10	79,00	3,11
3	23,00	0,91	7	55,00	2,17	11	87,00	3,43
4	31,00	1,22	8	63,00	2,48	12	94,00	3,70

Technical Data

Center-to-Center Spacing:
8 mm / 0.315 in

Rated Connecting Capacity: to EN 60 998
1,5 mm² / 16 AWG

Terminal Range:
With/ w/o wire protector up to 2,5 / 4 mm² solid wire
with/ w/o wire protector up to 1,5 / 2,5 mm² stranded wire

Rated Insulation Voltage: to EN 60 998
302-SV/FB: 450 V
302-NSV/NFB 250 V
with insulating base

Rated Voltage: 400 V, SV/FB (-DS)
to DIN VDE 0110, pollution degree 2 / II
302 NSV / NFB(-DS) > 3,7 mm / 0.145 in = 600 V,
pollution degree 1

Rated Current: 6 A

Stripping Length: 5 mm / 0.28 in

Depending on application, equipment safety regulations must be observed.

International Approvals

302-FB(-DS) +302-SV(-DS):



Data see page 72.

Material

Screw: M 2,6;
⌚ max. 0,4 Nm/3.5 lb-in.

Further details see General Description page 20.

Description

This connector combination provides the contact pressure via a stainless steel spring which ensures good electrical contact.

Since the pole spacing is only 8 mm, they are particularly well suited for applications where space is at a premium.

Type-N differs from the standard one only in its lower height of 12 mm. Please note, that the clearance and the creepage distances are shortened.

Options

⊗ Marking strips and labels, see page 29.

Order Table

Design: Plug connector → SV Socket connector → FB	Wire protector: with → -DS w/o: No entry	Poles: 02 to 12
3 0 2 - [] [] / [] []		
Type-Designation		

Order Table

Design: Plug connector → NSV Socket connector → NFB	Wire protector: with → -DS w/o: No entry	Poles: 02 to 12
3 0 2 - [] [] / [] []		
Type-Designation		