



# 302-ST(-DS) 302-STB(-DS)

8 mm 2-12 poles

# 302-NST(-DS) 302-NSTB(-DS)

8 mm 2-12 poles

## Technical Data

### Center-to-Center Spacing:

8 mm / 0.315 in

### Rated Connecting Capacity: to EN 60 998

1,5 mm<sup>2</sup> / 16 AWG

Terminal Range:

With/ w/o wire protector up to 2,5 / 4 mm<sup>2</sup> solid wire  
with/ w/o wire protector up to 1,5 / 2,5 mm<sup>2</sup> stranded wire

### Rated Insulation Voltage: to EN 60 998

302-ST(-DS): 450 V

302-NST(-DS) 250 V

with insulating base

### Rated Voltage: 400 V

to DIN VDE 0110, pollution degree 2 / II

### Rated Current: 6 A

Stripping Length: 6 mm / 0.24 in

Depending on application, equipment safety regulations must be observed.

## International Approvals

only 302-STB(-DS)+302-ST(-DS):



Data see page 74.

## Material

Screw: M 2,6

⌚ max. 0,4 Nm/ 3.5 lb-in.

Further details

see General Description page 20.

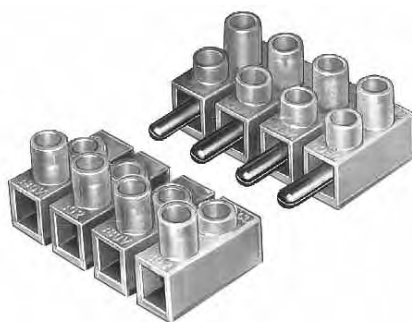
## Description

On these connectors sockets and plugs are split.

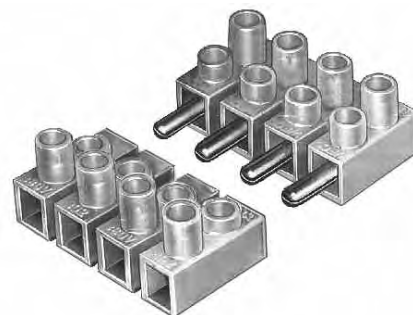
The N-Types differ from the standard versions in their lower height of only 12 mm, with corresponding shorter creepage distances.

## Options

- Marking strips and labels, see page 31.
- Leading socket for the protective conductor pole.
- Types 302-STB(-DS)+302-ST(-DS) with pegs at the base for saving assembly time.
- Screws made of brass.
- Moulding made of special Polyamide.

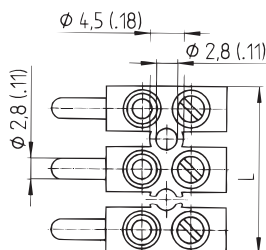
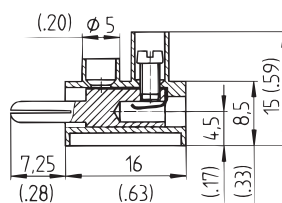


Standard Version

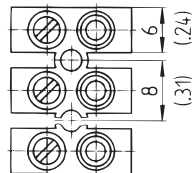
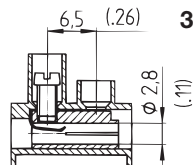


Low Profile Version

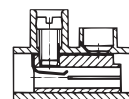
### 302-ST(-DS)



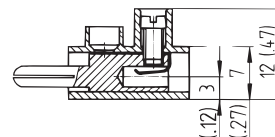
### 302-STB(-DS)



### 302-NSTB(-DS)



### 302-NSTS(-DS)



All further dimensions are identical to the type beside.



### Length (L):

Poles	mm	in	5	39,00	1,54	9	71,00	2,80
2	15,00	0,59	6	47,00	1,85	10	79,00	3,11
3	23,00	0,91	7	55,00	2,17	11	87,00	3,43
4	31,00	1,22	8	63,00	2,48	12	94,00	3,70

## Order Table

Design:	Wire protector:	Poles:
Plug connector → STS	with → -DS	02
Socket connector → STB	w/o: No entry	to 12
<div style="display: flex; justify-content: space-between; align-items: center;"> <span style="font-size: 24pt; font-weight: bold;">302</span> <span style="font-size: 24pt; font-weight: bold;">-</span> <span style="border: 1px solid black; width: 20px; height: 20px; display: flex; align-items: center; justify-content: center;"> </span> <span style="border: 1px solid black; width: 20px; height: 20px; display: flex; align-items: center; justify-content: center;"> </span> <span style="border: 1px solid black; width: 20px; height: 20px; display: flex; align-items: center; justify-content: center;"> </span> <span style="font-size: 24pt; font-weight: bold;">/</span> <span style="border: 1px solid black; width: 20px; height: 20px; display: flex; align-items: center; justify-content: center;"> </span> </div>		
Type-Designation		

## Order Table

Design:	Wire protector:	Poles:
Plug connector → NSTS	with → -DS	02
Socket connector → NSTB	w/o: No entry	to 12
<div style="display: flex; justify-content: space-between; align-items: center;"> <span style="font-size: 24pt; font-weight: bold;">302</span> <span style="font-size: 24pt; font-weight: bold;">-</span> <span style="border: 1px solid black; width: 20px; height: 20px; display: flex; align-items: center; justify-content: center;"> </span> <span style="border: 1px solid black; width: 20px; height: 20px; display: flex; align-items: center; justify-content: center;"> </span> <span style="border: 1px solid black; width: 20px; height: 20px; display: flex; align-items: center; justify-content: center;"> </span> <span style="font-size: 24pt; font-weight: bold;">/</span> <span style="border: 1px solid black; width: 20px; height: 20px; display: flex; align-items: center; justify-content: center;"> </span> </div>		
Type-Designation		