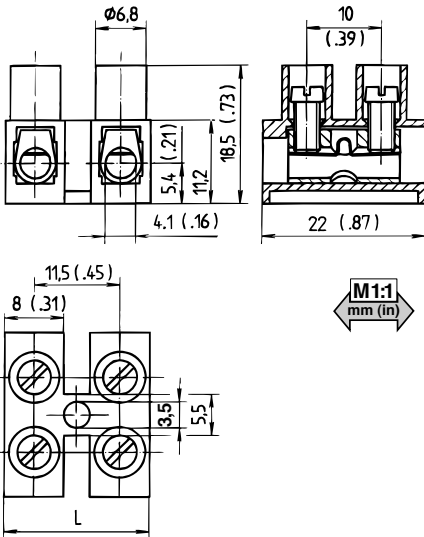


# 324(-HDS)

11,5 mm



Standard Version



Length (L):

Pole	mm	in	4	44,00	1.73	9	101,00	3.98
1	9,00	0.35	5	55,00	2.17	10	113,00	4.45
2	21,00	0.83	6	67,00	2.64	11	124,00	4.88
3	32,00	1.26	7	78,00	3.07	12	135,00	5.32
			8	90,00	3.54			

## Order Table

Wire protector:

with → **-HDS**

w/o: No entry

Poles:

**01**

to **12**

<b>3</b>	<b>2</b>	<b>4</b>						/		
----------	----------	----------	--	--	--	--	--	---	--	--

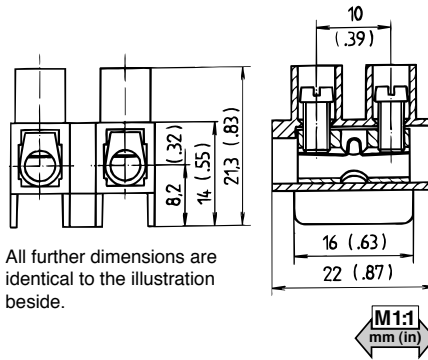
Type-Designation

# 324-FU(-HDS)

11,5 mm



Version with raised base



All further dimensions are identical to the illustration beside.

Length (L):

Pole	mm	in	4	44,00	1.73	9	101,00	3.98
1	9,00	0.35	5	55,00	2.17	10	113,00	4.45
2	21,00	0.83	6	67,00	2.64	11	124,00	4.88
3	32,00	1.26	7	78,00	3.07	12	135,00	5.32
			8	90,00	3.54			

## Order Table

Wire protector:

with → **-HDS**

w/o: No entry

Poles:

**01**

to **12**

<b>3</b>	<b>2</b>	<b>4</b>	<b>-FU</b>					/		
----------	----------	----------	------------	--	--	--	--	---	--	--

Type-Designation



## Technical Details

### Center-to-Center Spacing:

11,5 mm / 0.453 in

### Nominal Cross-Section:

2x2,5 mm<sup>2</sup> / 2x13 AWG

### Terminal Range:

With/ w/o wire protector up to 6 / 10 mm<sup>2</sup> solid wire

with/ w/o wire protector up to 4 / 6 mm<sup>2</sup> stranded wire

### Rated Connecting Capacity: to EN 60 998

4 mm<sup>2</sup> /12 AWG

### Terminal Range:

With/ w/o wire protector up to 6 / 10 mm<sup>2</sup> solid wire

with/ w/o wire protector up to 4 / 6 mm<sup>2</sup> stranded wire

### Rated Insulation Voltage: to EN 60 998

324: 450 V

324-FN: 750 V

### Rated Voltage: 400 V

to DIN VDE 0110, pollution degree 2 / II

Creepage distance terminal body-ground:

Type 324(-HDS): > 5,0 mm  $\Delta$  400 V, pollution degree 3

Type 324-FU(-HDS): > 12,5 mm<sup>2</sup>  $\Delta$  600 V, pollution degree 4

### Rated Current: 26 A

to DIN VDE 0289, Part 4, Table 6, Column 6

### Test Current: 32 A to EN 60 998

### Stripping Length: 7 mm / 0.27 in

Depending on application, equipment safety regulations must be observed.

## International Approvals



324(-HDS) additional:

Data see page 72.



## Material

### Screw: M 3,5

$\curvearrowright$  max. 0,8 Nm/ 7 lb-in

Further details see

General Description page 10.

## Description

The thread M 3,5 is in accordance for example with VDE 0700. The terminals can therefore be used for household and similar electrical appliances with rated currents up to 16 A to the mains.

The raised base of the FU-Type extends the creepage distance to the ground to 12,7 mm which allows 600 V in accordance with CSA without an additional insulating base.

## Options

% Marking strips and labels, see page

29.

% Screws made of brass.

% Moulding made of special Polyamide.