



# 323(-HDS)

# 323-FN(-HDS) 323-FU-16,5/18,5(-HDS)

## Technical Data

**Center-to-Center Spacing:**  
10 mm / 0.394 in

**Nominal Cross-Section:** to EN 60 998  
2,5 mm<sup>2</sup> / 22-14 AWG  
Terminal Range:  
with/ w/o wire protector up to 4 / 6 mm<sup>2</sup> solid wire  
with/ w/o wire protector up to 2,5 / 4 mm<sup>2</sup> stranded wire

**Rated Insulation Voltage:** to EN 60 998  
323: 450 V  
323-FN/FU: 750 V

**Rated Voltage:** 400 V  
to DIN VDE 0110, pollution degree 2 / II  
Creepage and clearance distance with terminal body-ground:  
323(-HDS): >5 mm = 400 V, pollution.degree 3  
323-FU-16,5/18,5(-HDS): >6,3 mm = 500 V, pollution.degree 3

**Rated Current:** 26 A  
to DIN VDE 0289, Part 4, Table 6, Column 6

**Test Current:** 24 A to EN 60 998

**Stripping Length:** 6,5 mm / 0.25 in

Depending on application, equipment safety regulations must be observed.

## International Approvals



Data see page 72.

## Material

**Screw:** M 3;  
⌀ max. 0,5 Nm/4.5 lb-in

Further details see  
General Description page 10.

## Description

The thread M 3 is in accordance with VDE 0700. The terminals can therefore be used for household and similar electrical appliances with rated currents up to 10 A to the mains. They are useful as connectors DIN 72586-B.

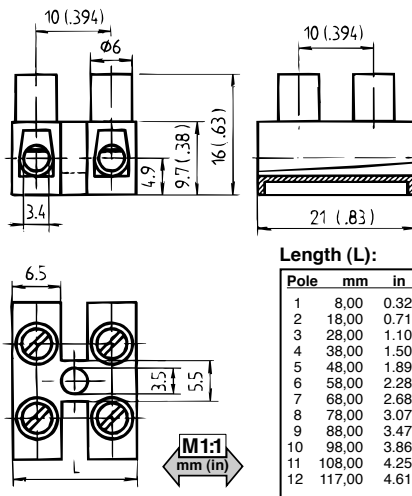
Type 323-FN provides a groove at the bottom. The raised bases of the FU-Types extend the creepage distance to the ground. Type -18,5 is suitable for higher voltages and in accordance for example with VDE 0700 §26.13 without an additional insulating base.

## Options

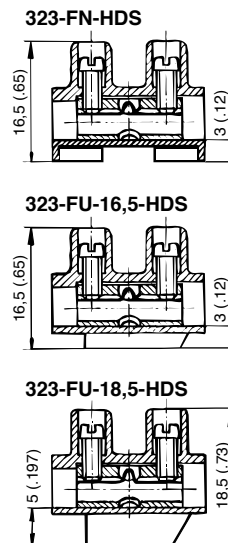
- ☞ Marking strips and labels, see page 29.
- ☞ Covers and Base Plates for additional safety, see page 19.
- ☞ In the metal part integrated wire stop.
- ☞ Screws made of brass.



**Standard Version**  
Available with integrated wire stop



**3 Versions with raised bases**  
Available with integrated wire stop



All further dimensions are identical to the illustration beside.

## Order Table

Wire protector: with → <b>-HDS</b> w/o: No entry		Poles: <b>01</b> to <b>12</b>	
<b>3 2 3</b>		/	
Type-Designation			

## Order Table

Wire protector: with → <b>-HDS</b> w/o: No entry		Poles: <b>01</b> to <b>12</b>	
<i>with a groove at the bottom</i>			
<b>3 2 3 - FN</b>		/	
Type-Designation			
Total Height: <b>16,5</b> or <b>18,5</b>		Wire protector: with → <b>-HDS</b> w/o: No entry	
Poles: <b>01</b> to <b>12</b>			
<b>3 2 3 - FU -</b>		/	
Type-Designation			