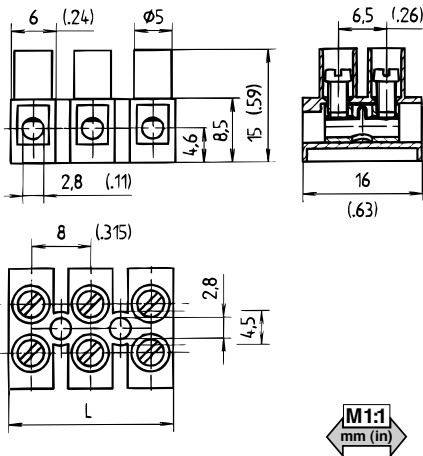


302(-HDS)

8 mm



Standard Version



Length (L):

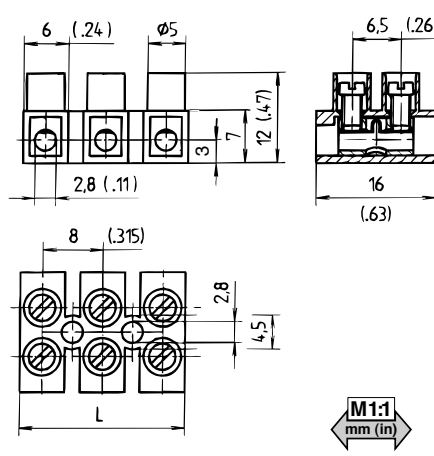
Poles	mm	in	4	31,00	1,22	9	71,00	2,80
1	7,00	0,28	5	39,00	1,54	10	79,00	3,11
2	15,00	0,59	6	47,00	1,85	11	87,00	3,43
3	23,00	0,90	7	55,00	2,17	12	94,00	3,70
			8	63,00	2,48			

302-N(-HDS)

8 mm



Low Profile Version



Length (L):

Poles	mm	in	4	31,00	1,22	9	71,00	2,80
1	7,00	0,28	5	39,00	1,54	10	79,00	3,11
2	15,00	0,59	6	47,00	1,85	11	87,00	3,43
3	23,00	0,90	7	55,00	2,17	12	94,00	3,70
			8	63,00	2,48			



Technical Data

Center-to-Center Spacing

8 mm / 0.315 in

Nominal Cross-Section:

2,5 mm² / 22-14 AWG

Terminal Range:

With/ w/o wire protector up to 2,5 / 4 mm² solid wire
with/ w/o wire protector up to 1,5 / 2,5 mm² stranded wire

Rated Connecting Capacity: to EN 60 998

1,5 mm² / 16 AWG

Terminal Range:

With/ w/o wire protector up to 2,5 / 4 mm² solid wire
with/ w/o wire protector up to 1,5 / 2,5 mm² stranded wire

Rated Insulation Voltage: to EN 60 998

302: 450 V

302-N: 250 V

Rated Voltage: 400 V

to DIN VDE 0110, pollution degree 2 / II

Creepage distance terminal body-ground:

Type 302(-HDS): > 5,0 mm = 400 V, pollution degree 3

Type 302-N(-HDS): > 3,7 mm = 600 V, pollution degree 1

Rated Current: 26 A

to DIN VDE 0289, Part 4, Table 6, Column 6

Test Current: 17,5 A to EN 60 998

Stripping Length: 5 mm / 0.20 in

Depending on application, equipment safety regulations must be observed.

International Approvals

302(-HDS):



302-N(-HDS):



Data see page 72.

Material

Screw: M 2,6

⤿ max. 0,4 Nm/ 3.5 lb-in

Further details see

General Description page 10.

Description

These types 302 are our smallest screw terminal strips.

Types 302-N have additionally a 3 mm lower total height. They are specially useful where space is at premium and the creepage distance metal part to ground has not priority, e.g. inside plastic casings.

Options

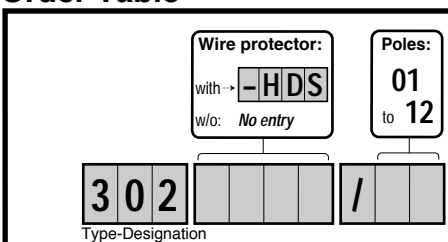
☞ Marking strips and labels, see page

29.

☞ Type 302(-HDS) with pegs at the base

for saving assembly time.

Order Table



Order Table

