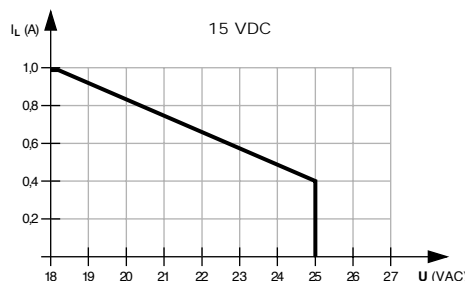
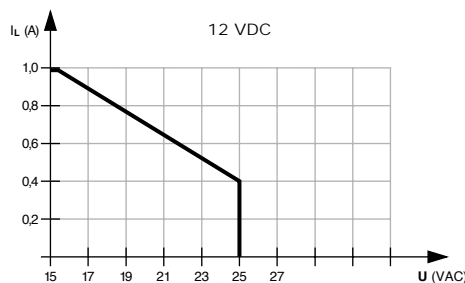
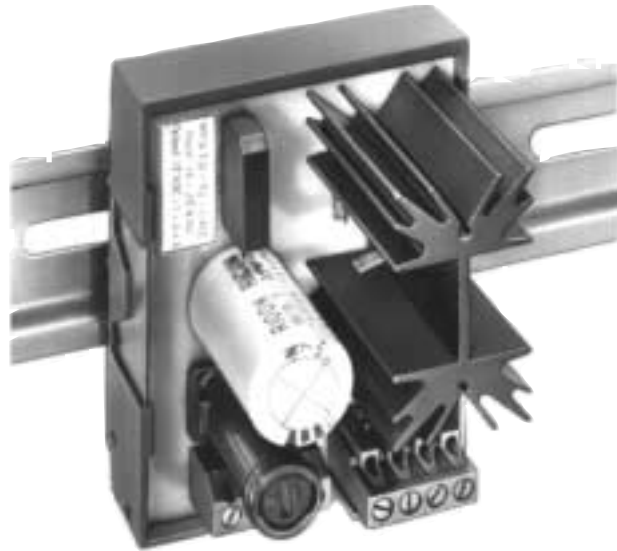
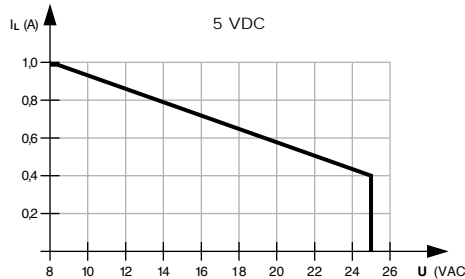


Fixed-Voltage Regulating-Modules

MFR

B



Permitted input voltage dependent on load.
Ambient temperature: 25°C.
Output voltage: +/- 0.5 V

Description

Fixed-voltage regulating modules (MFR) convert alternating voltage into a stabilized direct voltage. Characteristics include low residual ripple and thermal overload protection. Additional protective functions with free-wheeling diodes and fuses. LED status display.

Order Table

Module-Type: <input type="checkbox"/>	Output voltage
MFR	05, 12, 15, 24
MFR 1, 0 - - CMZ	
Type-Designation	

Technical Data

Output voltage VDC	5	12	15	24
Input voltage max. VAC	25	25	25	30
Input voltage min. VAC	8	15	18	24
Load curr. max.	1A			1A
Fuse (T)	1,6 A			1,6 A
Residual ripple	<0,5%			<0,5%