



Multi Channel Surveillance/Fault Alarm-Modules MSM

Technical Data

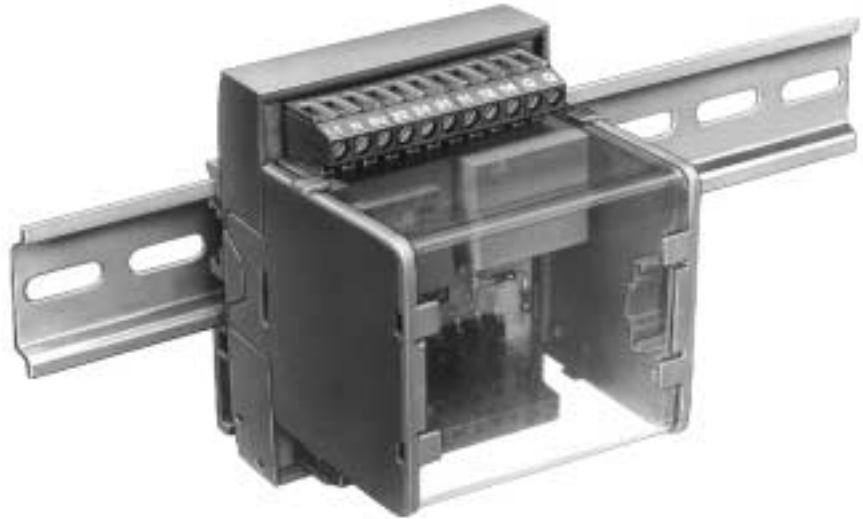
Operating voltage: 230 VAC + 10 %
 Power consumption: 1 VA
 Disturbance input voltage: 230 VAC
 Number of disturbance inputs: 10

Relay: 2 changeover contacts
 Continuous current: max. 4 A
 Switching power: 250 VAC / 1250 VA
 24 VDC / 120 W

Ambient temperature: 0° bis 40°C

Terminals are at choice, see how to order.

Dimensions:
 Height above the housing edge:
 without cover: 25 mm / 0.98 in
 with cover: 51 mm / 2.00 in
 (total height plus 30 mm)
 Length: 68 mm / 2.68 in
 Width: 90 mm / 3.54 in



Description

This module is recommended for monitoring large installations in which direct localisation of the signalled fault is essential.

In case of a failure two relays with one change over contact each are activated.

Relay 1 switches e.g. an acoustic signal (horn) and can be deactivated via the accept button at the terminals Q-Q.

Relay 2 is clock controlled to switch a flashing light. This relay stays activated until all faults are remedied.

In case of further failures are detected and accepted every new faulty state will be recognized and the horn relay will be activated.

When pushing the reset button the module is ready again for monitoring and indication on relay 1.

Each channel is equipped with one LED and therefore every fail can be located directly.

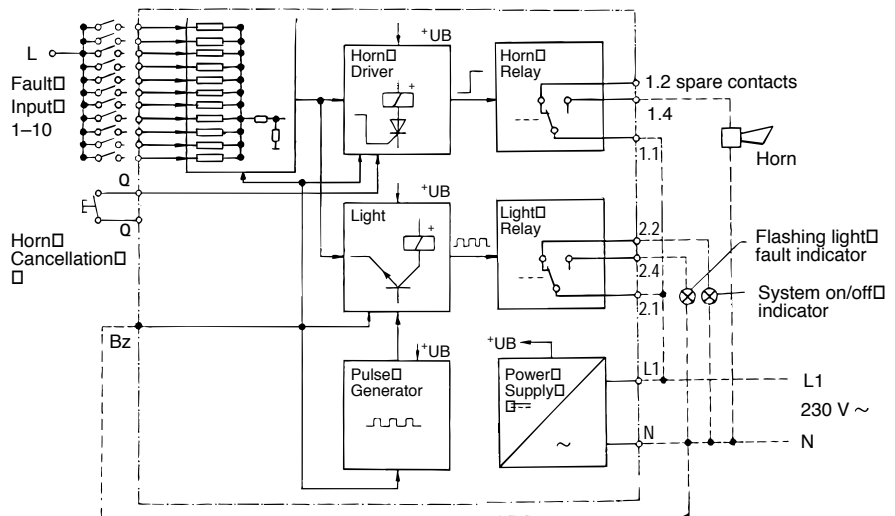
After a simultaneous remedy of several faults (no more existing failure) the horn driver needs a recovery time of about 5s.

Channel- and flashing indicator are ready immediatly.

Prior commisioning the terminals N and Bz have to be bridged.

Options

☞ Customer specified designs.



Order Table

Module-Type: MSM	Input Fault Voltage (VAC): 230	Input Voltage (VAC): 230	Terminals Input: Type 150-A-111 with 2x2,5 mm ² → M Optional available: (A,B,G,R,S)	Term. Output: Type 150-A-111 2x2,5 mm ² → M Optional available: (A,B,G,R,S)	Housing: Module M-512 with cover → Z w/o cover → H
M S M G J L - 2 3 0 - 2 3 0 -					
Type-Designation					