

# Fuse-Modules MSG



## Technical Data

Nominal voltage: 250 VAC  
 Current carrying capacity:  
 per current path: 6,3 A  
 with simultaneous load of all links: 4 A am  
 Collecting point L1: 16 A

Terminals are at choice, see how to order.

**Dimensions:**  
 Height above the housing edge: 36 mm / 1.42 in  
 (total height plus 30 mm)  
 Length  
 with 3 fuse holders: 24 mm / 0.95 in  
 with 6 fuse holders: 47 mm / 1.85 in  
 Width: 76 mm / 3.00 in

## Description

The fuse modules MSG are manufactured as standard with 3 or 6 fuse holders. The holders are equipped optionally with slotted-head screw cap or indicating pin screw cap for G-fuse links 5x20 or 5x25 with indicating pin or with bayonet catch.

If required, the modules are available with individually wirable fuse paths or as distributors with common feed-in.

Combining the fuse holders with our modular system provides a simple method of installing overload protection for the equipment to be protected.

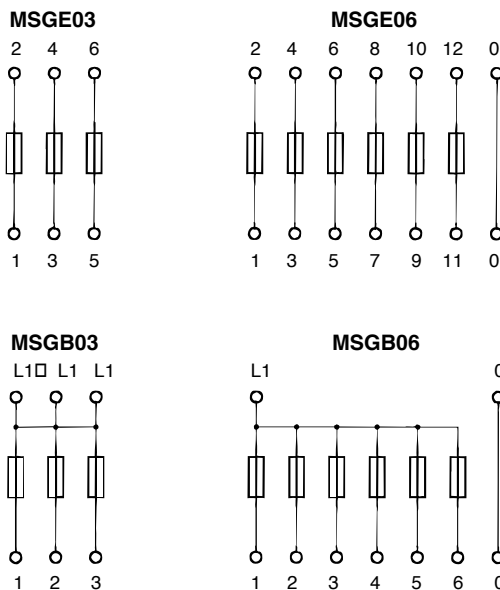
Typical possible applications include fusing transformer windings, motors, lamps and final control elements in addition to protecting electronic components.

Fuses with ratings appropriate to the permissible load can be used.

The G-fuse links are not included in our product program.

## Options

- ⊗ Types with malfunction indicator.
- ⊗ Customer specified designs.



## Order Table

