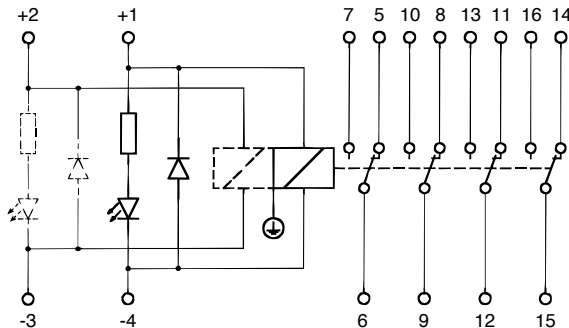
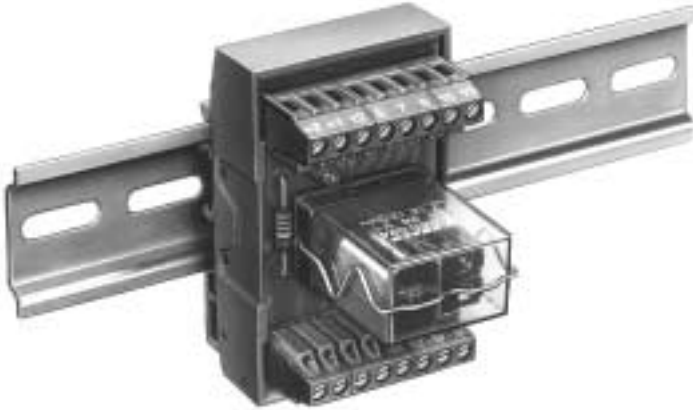


Relay-Modules MRKA



Technical Data

Control Circuit:

Coil voltage: At choice, see how to order
Rated power: 0,7 W

Relay-Data (if ordered with):

Contact Circuit:

Contact material: Fine silver, gold plated
Switching voltage: 115 VAC
Continuous current: 1 A
Switching capacity: 30 W / 50 VA
Contact life mechanical: > 10⁷
Pick-up/Release time: < 15 ms / < 8 ms
Number of dry contact: 4

Relay to DIN VDE 0110, pollution degree 2 to 125 V.
Breakdown Voltage contact-contact: 1000 V

Terminals are at choice, see how to order.

Dimensions:

Height above the housing edge (total height plus 30 mm) incl.
Relay: 39 mm / 1.54 in
Length
with 1 plug-in socket: 47 mm / 1.85 in
with 2 plug-in socket: 182 mm / 7.17 in
with 8 plug-in socket: 362 mm / 14.25 in
Width: 76 mm / 3.00 in

Description

These modules serve to accommodate cradle relays of size II and are fitted with 1, 4 or 8 sockets. (incl. fixing bracket). The terminal numbering corresponds to that of the relay socket. As standard's available without relay and one with relay.

Order Table

Number of change-over contacts per relay: Module only with Socket(s) → 0 Module with relay → 4	Kind of Input: DC → D	Number of Relays (-Sockets): 1	Terminals Input: Type 150A-111 with 2x2,5 mm ² → M Optional available: (A,B,G,R,S)	Terminals Output: Type 150A-111 with 2x2,5 mm ² → M Optional available: (A,B,G,R,S)
Module -Type: MRKA	Relay Mount: plugged-in → S	Coil Voltage (V): 024 Optional available: 006, 012, 048, 060, 110	Housing: Module Housing M-512 Z	
MRKA S - D - 024 - Z				

Type-Designation