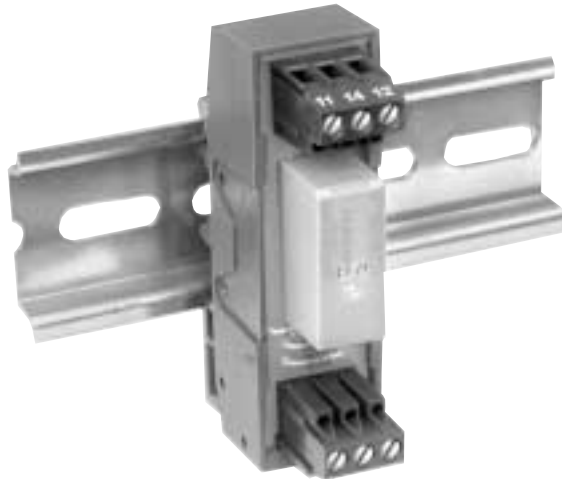


Relais-Module MRPF

B



Technical data

Control circuit:
Coil voltage: 24 VDC
Rated power: 0.7 W

Contact circuit:

Contact material: AgCdO
Rated voltage: 250 VAC
Rated current: 16 A
Rated switching capacity: 4000 VA (ohmic)
Contact life mechanical: > 30 x 10⁶
Pick-up/drop-out/bounce time: 5/5/2 ms
Permissible ambient temp.: -40° to +70°C

The terminals are selectable, see ordering panel.

Dimensions:

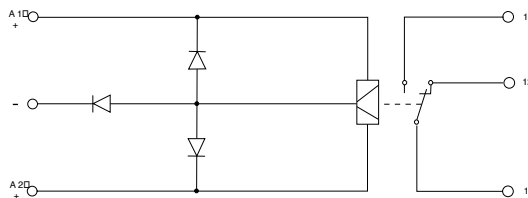
Height at edge of casing : 23 mm/0.91 in.
(total height plus 30 mm)
Length: 24 mm/0.95 in.
Width: 76 mm/3.00 in.

Description

Bistable relay module for high switching capacity. The relay retains its last position after the excitation current has been switched off.

Option

⊗ Negative switching type upon request



Positive switching

A1 pick-up
A2 drop-out

Contact position is not defined on delivery

Order Table

Number of change-over contacts per relay: 1 → A	Coil Voltage (V): 024	Terminal Output: Terminal 150-A-111 with 2x2,5 mm ² → M available upon request: (A,B,G,R,)
Module-Type: MRPF	Relay Mount: soldered → L	Terminal Input: Terminal 150-A-111 with 2x2,5 mm ² → M available upon request: (A,B,G,R,)
		Housing: Module Housing M-512 Z
M R P F A L - 0 2 4 - - - Z		
Type-Designation		