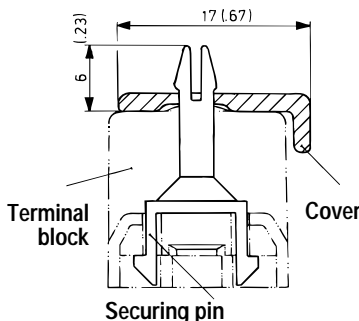
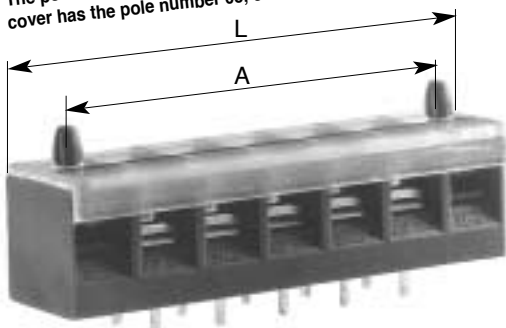


Cover 980-A/ 982-A/ 983-A and Securing Pins BEF for all types 980, 982 and 983



The pole number definition has changed! For example, this shrouding cover has the pole number 05, corresponding to the terminal block.



Material

Cover: ABS transparent
Securing Pins: Polyamide, grey
Temperature Limit: Continuous 80°C/ 176°F

Description

The shrouding covers serve as shock-hazard protection for 98 series terminals (see preceding pages). They can be used with all screw terminals and the tab connector version 8.011. All shrouding covers are provided with two mounting holes Ø 3 mm/ 0.12 inch. After wiring, the covers are fixed by two securing pins, which are pressed into the empty cavities at both ends of the terminal.

When ordering 98 series terminals, the two external empty cavities on the left and right must be additionally specified, since the pole numbers of the terminal blocks refer only to complemented cavities.

The pole numbers and lengths specified on this page already take into account the vacant cavities, i.e. a three-pole shrouding cover, for example, fits a three-pole terminal block provided with two additional empty cavities.

Options

⊗ Fixing holes at different place.

For connectors 980

Shrouding cover 980-A			
Pole	L mm	in	A mm in
01	20,3	0.79	12,7 0.50
02	26,6	1.05	19,0 0.75
03	33,0	1.29	25,4 1.00
04	39,3	1.55	31,7 1.25
05	45,7	1.79	38,1 1.50
06	52,0	2.05	44,4 1.75
07	58,4	2.29	50,8 2.00
08	64,7	2.55	57,1 2.25
09	71,7	2.79	63,5 2.50
10	77,4	3.05	69,8 2.75
11	83,8	3.29	76,2 3.00
12	90,1	3.55	82,5 3.25
13	96,5	3.79	88,9 3.50
14	102,8	4.05	95,2 3.75
15	109,2	4.26	101,6 4.00
16	115,5	4.55	108,0 4.25
17	121,9	4.79	114,3 4.50
18	128,2	5.05	120,6 4.75
19	134,6	5.30	127,0 5.00
20	140,9	5.55	133,3 5.25
21	147,3	5.79	139,7 5.50
22	153,6	6.05	146,0 5.75
23	160,0	6.29	152,4 6.00
24	166,3	6.55	158,7 6.25
25	172,7	6.79	165,1 6.50
26	179,0	7.05	171,4 6.75
27	185,4	7.30	177,8 7.00
28	191,7	7.55	184,1 7.25
29	198,1	7.79	190,5 7.50
30	204,4	8.05	196,8 7.75

For connectors 982

Shrouding cover 982-A			
Pole	L mm	in	A mm in
01	28,5	1.12	19,0 0.75
02	38,0	1.49	28,5 1.12
03	47,6	1.87	38,0 1.50
04	57,1	2.25	47,6 1.87
05	66,6	2.62	57,1 2.25
06	76,1	2.99	66,6 2.62
07	85,7	3.37	76,1 2.99
08	95,2	3.75	85,7 3.37
09	104,7	4.12	95,2 3.75
10	114,3	4.50	104,7 4.12
11	123,8	4.87	114,3 4.50
12	133,3	5.25	123,8 4.87
13	142,8	5.62	133,3 5.25
14	152,4	6.00	142,8 5.62
15	161,9	6.37	152,4 6.00
16	171,4	6.75	161,9 6.37
17	180,9	7.12	171,4 6.75
18	190,5	7.50	180,9 7.12
19	200,0	7.87	190,5 7.50
20	209,5	8.25	200,0 7.87
21	219,0	8.62	209,5 8.25
22	228,6	9.00	219,0 8.62
23	238,1	9.37	228,6 9.00
24	247,6	9.75	238,1 9.37

For connectors 983

Shrouding cover 983-A			
Pole	L mm	in	A mm in
01	30,0	1.18	20,0 0.79
02	40,0	1.57	30,0 1.18
03	50,0	1.97	40,0 1.57
04	60,0	2.36	50,0 1.97
05	70,0	2.76	60,0 2.36
06	80,0	3.15	70,0 2.76
07	90,0	3.54	80,0 3.15
08	100,0	3.94	90,0 3.54
09	110,0	4.33	100,0 3.94
10	120,0	4.72	110,0 4.33
11	130,0	5.12	120,0 4.72
12	140,0	5.51	130,0 5.12
13	150,0	5.91	140,0 5.51
14	160,0	6.29	150,0 5.91
15	170,0	6.69	160,0 6.29
16	180,0	7.09	170,0 6.69
17	190,0	7.48	180,0 7.09
18	200,0	7.87	190,0 7.48
19	210,0	8.27	200,0 7.87
20	220,0	8.66	210,0 8.27
21	230,0	9.06	220,0 8.66
22	240,0	9.45	230,0 9.06
23	250,0	9.84	240,0 9.45
24	260,0	10.24	250,0 9.84

Order Table

Covers	Poles: 01 to 30
980-A /	
Type-Designation	

Securing Pin	
BEF-980	
Type-Designation	

Order Table

Covers	Poles: 01 to 24
982-A /	
Type-Designation	

Securing Pin	(for type 983-A as well)
BEF-983	
Type-Designation	

Order Table

Covers	Poles: 01 to 24
983-A /	
Type-Designation	

Securing Pin	(for type 982-A as well)
BEF-983	
Type-Designation	